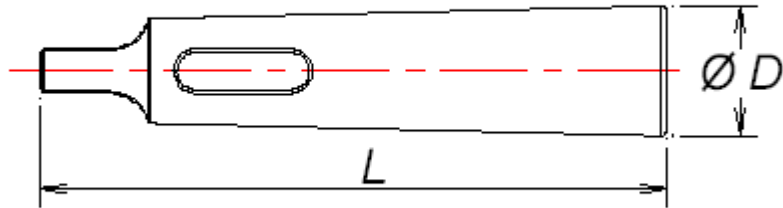


REDUCTION SLEEVES



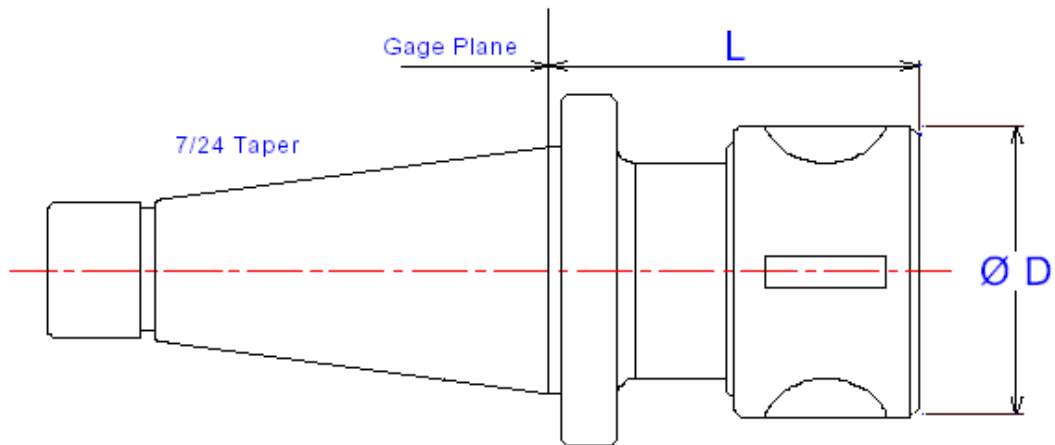
OD	2	3	3	4	4	4	5	5	5	6	6	6
ID	1	1	2	1	2	3	2	3	4	3	4	5
Ø D	18.6	24.1	24.8	31.6	31.6	32.3	44.7	44.7	45.4	63.8	63.8	63.8
L	91	98	111	123	123	139	155	155	170	217	217	217

Note:

- Precision Grade
- Sleeves as per IS 6702-1972.
- All sleeves are case hardened and ground.
- Sizes with MT-6 and above will have 2 slots for extraction.
- MT-7 can be made and supplied on request.
- Nomenclature for ordering: MT <Outer taper> x MT <Inner taper>

COLLET ADAPTORS

ISO TYPE



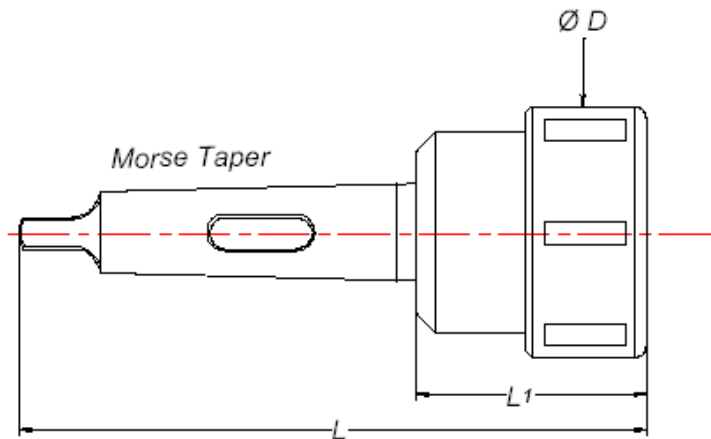
Taper	Collet	L	Ø D
ISO 30	E-40	90	63
ISO 40	E-40	60	63
ISO 50	E-40	55	63
Morse / R8-M1TR	E-40	90	63

Note:

- Manufactured for Schaublin Type and Tail Type collets
- C-Spanner to suit adaptor available
- Also available in ER type
- Nomenclature for Ordering: ISO 40 x E 40

COLLET ADAPTORS

MORSE TAPER TYPE



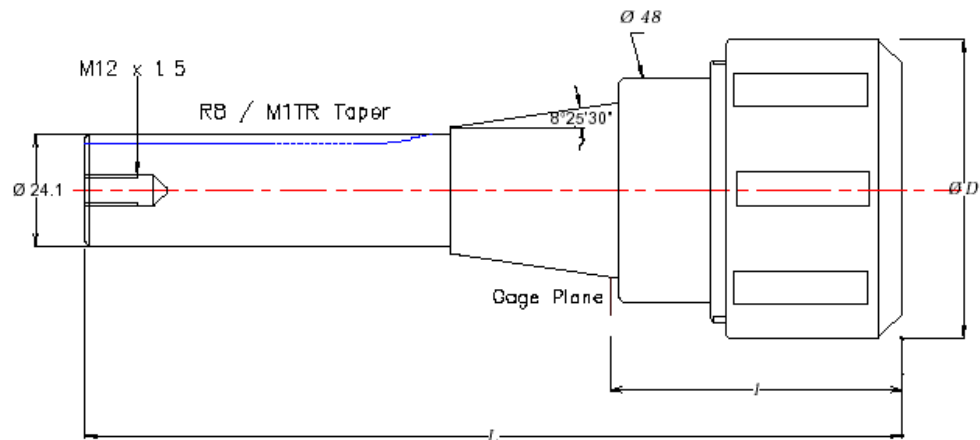
TAPER	$\varnothing D$	L1	L
2	63	74	146
3	63	74	165
4	63	74	190
5	63	70	226
6	63	42	260

Note:

- *Manufactured for Schaublin Type and Tail Type collets*
- *C-Spanner to suit adaptor available*
- *Also available in ER type*
- *Nomenclature for Ordering: MT-4 x E 40*

COLLET ADAPTORS

R8 TYPE



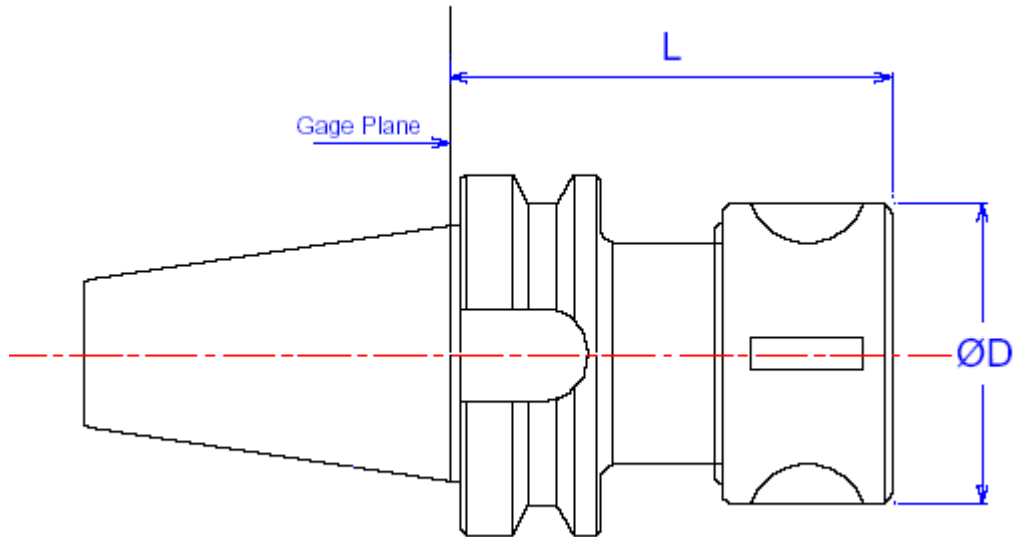
TAPER	Ø D	L1	L
2	63	74	146
3	63	74	165
4	63	74	190
5	63	70	226
6	63	42	260

Note:

- *Manufactured for Schaublin Type and Tail Type collets*
- *C-Spanner to suit adaptor available*
- *Also available in ER type*
- *Nomenclature for Ordering: MT-4 x E 40*

COLLET ADAPTORS

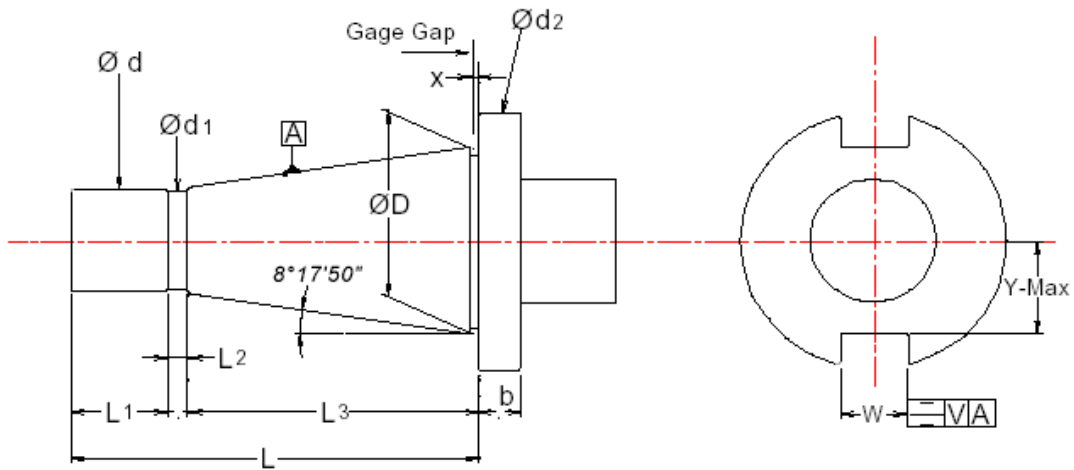
BT TYPE



Shank	Collet Type	L	ØD
30	ER 16	70	28
	ER 20		34
	ER 32		50
40	ER 16	70	28
	ER 20		34
	ER 25		42
	ER 32		50
	ER 40	80	63
50	ER 32	100	50
	ER 40	80	63
	ER 50	100	78

STUB ARBOURS

ISO TYPE

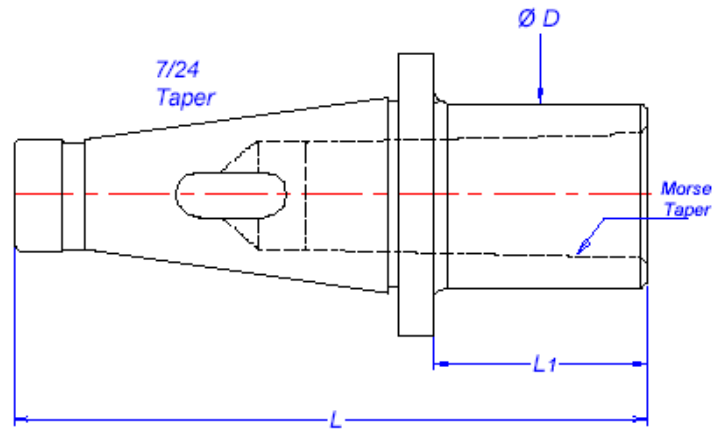


7/24 Taper	$\varnothing D$	$\varnothing d$	$\varnothing d_1$	$\varnothing d_2$	L	L_1	L_2	L_3	b	W $H 12$	Y Max	x
ISO 30	31.75	17.4	16.5	50	70	17	3	50	8	16.1	16.2	1.6
ISO 40	44.45	25.3	24	63	95	23	5	67	10	16.1	22.5	± 0.4
ISO 50	69.85	39.6	38	100	130	17	8	105	12	25.7	35.3	3.2
ISO 60	107.95	60.2	58	160	210	35	10	165	16	25.7	60	± 0.4

Note:

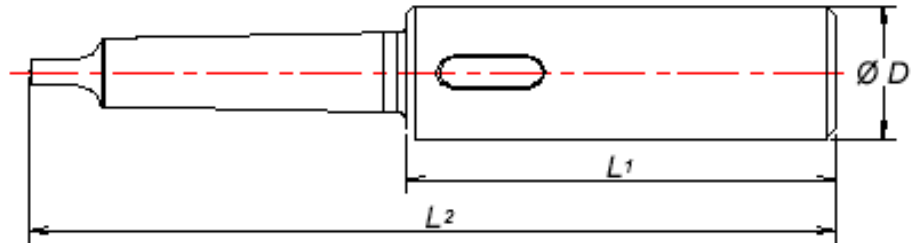
- *Manufactured to DIN 2080 / IS:2340-1972*
- *Also available in Morse Taper, R8 and BT type shanks on request.*

REDUCTION MILLING SOCKETS



7/24 Taper	Morse Taper	D	L 1	L
30	1	25	37	105
	2	32	50	118
	3	40	72	140
40	1	25	27	120
	2	32	32	125
	3	40	52	145
	4	48	77	170
50	1	25	33	160
	2	32	33	160
	3	40	33	160
	4	48	53	180
	5	65	88	215
60	3	40	45	251
	4	48	45	251
	5	65	45	251
	6	80	85	291

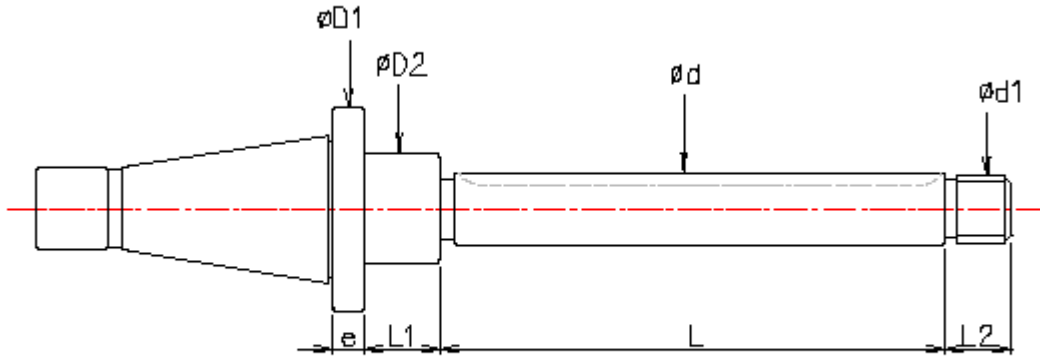
EXTENSION SOCKETS



Outer MT	1	1	2	2	2	3	3	3	3
Inner MT	1	2	1	2	3	1	2	3	4
$\varnothing D$	20	30	20	30	36	20	30	36	48
L- 1	76	91	76	91	112	76	91	112	137
L- 2	145	160	160	175	196	175	194	215	240

Outer MT	4	4	4	4	4	5	5	5	5	5
Inner MT	1	2	3	4	5	1	2	3	4	5
$\varnothing D$	20	30	36	48	63	20	30	36	48	63
L- 1	76	91	112	137	172	76	91	112	137	172
L- 2	200	215	240	265	300	232	247	268	300	335

LONG MILLING ARBOURS



7/24 Taper	D1	e	L1	D2 min	d h6	63	100	160	200	250	315	400	500	630	800	1000	d 1	L2								
30	50	8	20	27	16	X	X	X	X	X	X	---	---	---	---	---	M 16x1.5	16								
				34	22	X	X	X	X	X	X	X	X	---	---	---	---	---	M 20x2	22						
				41	27	X	X	X	X	X	X	X	X	X	---	---	---	---	---	M 24x2	28					
40	63	10	25	27	16	X	X	X	X	X	X	X	---	---	---	---	---	M 16x1.5	16							
				34	22	X	X	X	X	X	X	X	X	X	---	---	---	---	---	M 20x2	22					
				41	27	X	X	X	X	X	X	X	X	X	X	---	---	---	---	M 24x2	28					
				47	32	X	X	X	X	X	X	X	X	X	X	X	---	---	---	---	M 27x2	32				
				55	40	---	X	X	X	X	X	X	X	X	X	X	X	---	---	---	---	M 33x2	40			
50	100	12	30	34	22	X	X	X	X	X	X	X	X	X	X	---	---	---	---	M 20x2	22					
				41	27	X	X	X	X	X	X	X	X	X	X	X	X	---	---	---	---	M 24x2	28			
				47	32	X	X	X	X	X	X	X	X	X	X	X	X	X	X	---	---	---	---	M 27x2	32	
				55	40	---	X	X	X	X	X	X	X	X	X	X	X	X	X	X	---	---	---	---	M 33x2	40
				69	50	---	---	---	---	---	---	---	---	---	X	X	X	X	X	X	---	---	---	---	M 39x3	46
				84	60	---	---	---	---	---	---	---	---	---	X	X	X	X	X	X	---	---	---	---	M 45x3	56
60	160	16	40	69	50	---	---	---	---	---	---	---	---	---	X	X	X	---	---	---	---	M 39x3	46			
				84	60	---	---	---	---	---	---	---	---	---	---	---	X	X	X	---	---	---	---	M 45x3	56	
				109	80	---	---	---	---	---	---	---	---	---	---	---	---	X	X	---	---	---	---	M 56x4	63	
				134	100	---	---	---	---	---	---	---	---	---	---	---	---	X	X	---	---	---	---	M 68x4	70	